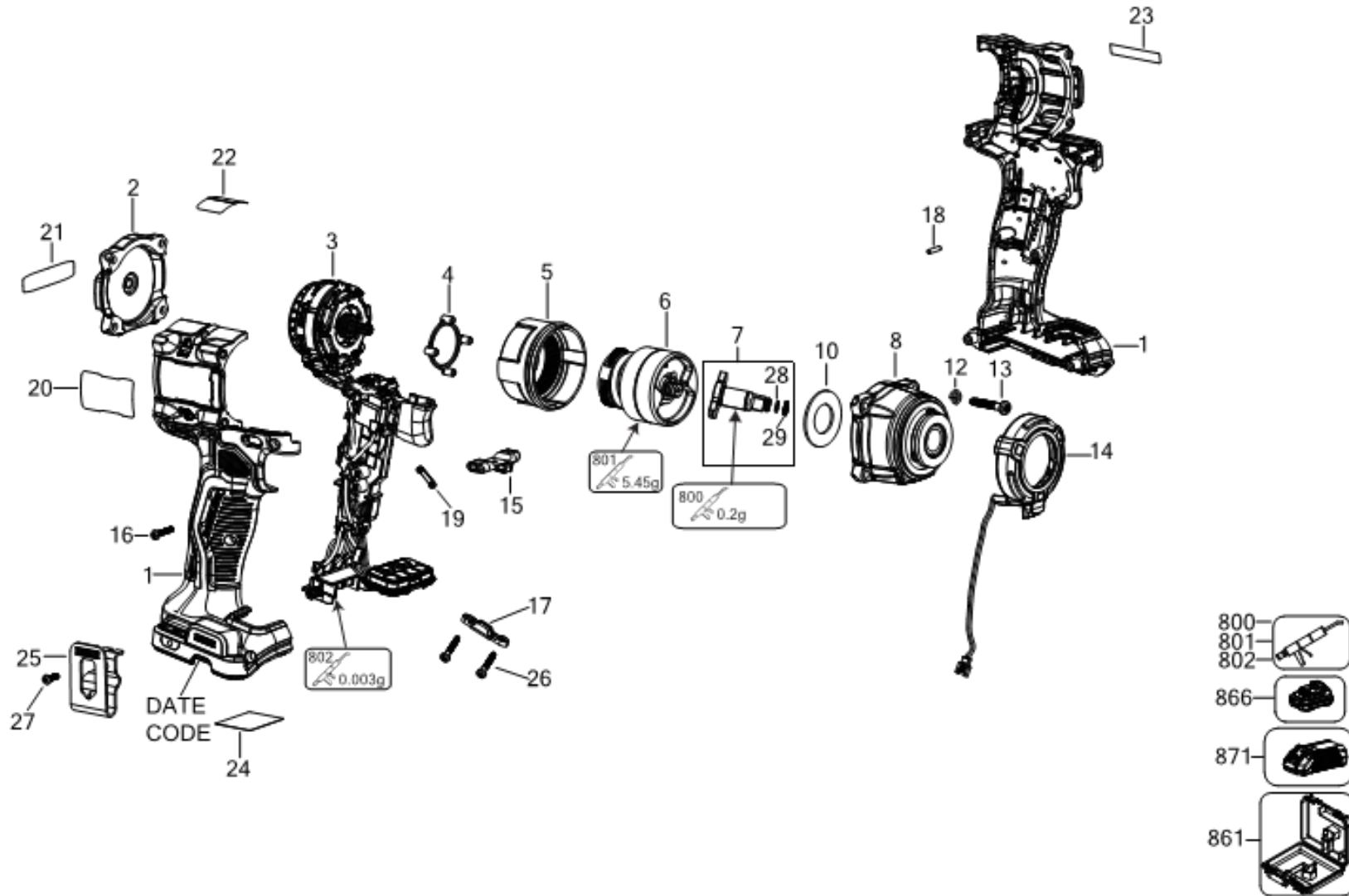


**DeWALT**

DCF921

Typ  
1



©

E21095

www.2helpU.com

05/01/2022

## Parts List DCF921P2LRT CORDLESS IMPACT WRENCH 1

Item	Part Number	Qty	Part Description	General Description	Other Info	Repair Inst	Markets
1	N855804	1	HOUSING SA			No	XJ
2	N734353	1	END CAP			No	XJ
3	NA068742	1	MOTOR & SWITCH SA			No	XJ
4	N842830	1	BUMPER			No	XJ
5	N925054	1	GEARCASE SA			No	XJ
6	N925055	1	IMPACTOR			No	XJ
7	N925064	1	ANVIL ASSEMBLY			No	XJ
8	NA043658	1	NOSE SA			No	XJ
10	N699996	1	WASHER THRUST			No	XJ
12	N529458	4	WASHER LOCK			No	XJ
13	N936801	4	SCREW			No	XJ
14	N737838	1	LED LIGHT			No	XJ
15	N795387	1	SWITCH REVERSE			No	XJ
16	682211-00	11	SCREW			No	XJ
17	N787996	1	INSERT			No	XJ
18	N071836	1	ROLL PIN			No	XJ
19	N261987	3	CAP			No	XJ
20	N916095	1	RATING PLATE	EURO	EURO	No	XJ
21	N916090	1	LABEL			No	XJ
22	N916093	1	LABEL	TOP INFO		No	XJ
23	N916091	1	LABEL	BRUSHLESS	BRUSHLES	No	XJ
24	N916096	1	LABEL	FOOT QR	FOOT QR	No	XJ
25	N086039	1	HOOK			No	XJ
26	N831593	2	SCREW			No	XJ
27	N042665	1	SCREW			No	XJ
28	050056-00	1	O RING			No	XJ
29	086947-00	1	CIRCLIP			No	XJ
800	808386-00	1	GREASE	MOLYKOTE G68 100GMS		No	XJ
801	N017298	1	GREASE	G-2008 Molykote		No	XJ
802	NA218891	1	NYOGEL 760G	NYE NYOGEL 760G (150		No	XJ
861	NA392587	1	KITBOX			No	XJ
866	NA301176	2	BATTERY			No	XJ